

Data Sheet No: E16021

Version: V0

Date: 2024/08/26



PEWF2726

High-Precision Low-TCR Alloy Current Sensing Resistor

Resistance	1.0mΩ~5.0mΩ
Tolerance	±0.5%
TCR	±75ppm/°C、±50ppm/°C
Rated Current	24A~83A

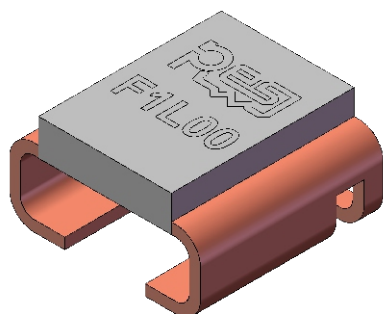
Applications

Automotive Electronics
Precision Power Supply
Instrumentation
Formation & Sorting of Battery
Medical Equipment

**Better Solution for Sustainable
High End Manufacturing**



Low-TCR Alloy Current Sensing Resistor “Trimming Free” Technology, High Precision & Reliability



Introduction

PEWF2726 series is based on a precision resistive alloy, welded by a specialized electron beam welding equipment. Both resistive alloy and welding equipment are independently designed and manufactured by C&B Electronics. Because of controlling the consistency of resistive alloys, precision processing ability and efficient welding, PEWF2726 achieves a maximum target tolerance of $\pm 0.5\%$ after stamping without trimming. TCR of PEWF2726 series within the temperature range of $+20^{\circ}\text{C}$ to $+120^{\circ}\text{C}$ is $\leq \pm 75\text{ppm}/^{\circ}\text{C}$ ($1\text{m}\Omega\sim 2\text{m}\Omega$) and $\pm 50\text{ppm}/^{\circ}\text{C}$ ($3\text{m}\Omega\sim 5\text{m}\Omega$).

"Trimming Free" technology avoids the loss of rated current caused by trimming and also avoids current accumulation hotspots caused by trimmed notch, greatly improving the reliability of the product. Meanwhile, due to the improvement of welding quality, thermal EMF of the product is significantly reduced, improving its long-term stability.

PEWF2726 series, from raw materials, core equipment, to core processes, achieves independent and controllable production, stable quality, and timely delivery. If the standard specifications cannot meet your needs, please contact our sales for consultation. Resi is committed to providing the best precision resistor solutions to meet the needs of customers in instrumentation, medical equipment, automotive electronics, precision power supplies, formation & sorting of battery, testing and measurement equipment and other fields.



Electrical Parameters

Size	Resistance	Rated Power (+70°C)	Max. Operating Current	Operating Temperature	TCR ppm/°C(+20°C Ref)	Thermal Resistance*	Tolerance %
PEWF2726	1.0mΩ	7W	83A	-55°C~+170°C	$\pm 75(+20^{\circ}\text{C}\sim +120^{\circ}\text{C})$	8.6	± 0.5 ± 1.0 ± 5.0
PEWF2726	1.3mΩ	7W	73A	-55°C~+170°C	$\pm 75(+20^{\circ}\text{C}\sim +120^{\circ}\text{C})$	10.0	± 0.5 ± 1.0 ± 5.0
PEWF2726	2.0mΩ	6W	54A	-55°C~+170°C	$\pm 75(+20^{\circ}\text{C}\sim +120^{\circ}\text{C})$	17.6	± 0.5 ± 1.0 ± 5.0
PEWF2726	3.0mΩ	5W	40A	-55°C~+170°C	$\pm 50(+20^{\circ}\text{C}\sim +120^{\circ}\text{C})$	25.3	± 0.5 ± 1.0 ± 5.0
PEWF2726	4.0mΩ	4W	31A	-55°C~+170°C	$\pm 50(+20^{\circ}\text{C}\sim +120^{\circ}\text{C})$	32.1	± 0.5 ± 1.0 ± 5.0
PEWF2726	5.0mΩ	3W	24A	-55°C~+170°C	$\pm 50(+20^{\circ}\text{C}\sim +120^{\circ}\text{C})$	39.7	± 0.5 ± 1.0 ± 5.0

* Thermal Resistance: Refer to the internal thermal resistance between the center of the resistive alloy and the copper electrode.

As the heat dissipation efficiency is influenced by operating environment, copper bus bars, PCB design, etc., this parameter is only for reference.

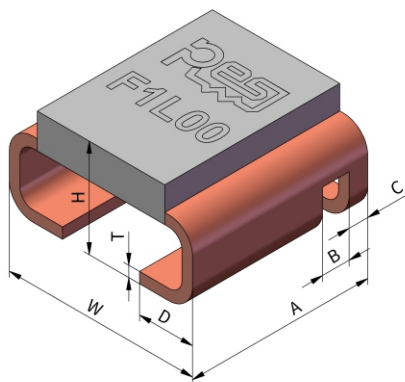
Applications

PEWF2726 is only suitable for DC low-frequency sampling circuits. Please contact us if you need AC or high-frequency working conditions.

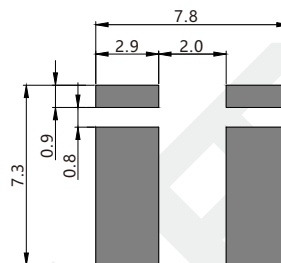
Dimensions

Unit:mm

Resistor



Land Pattern

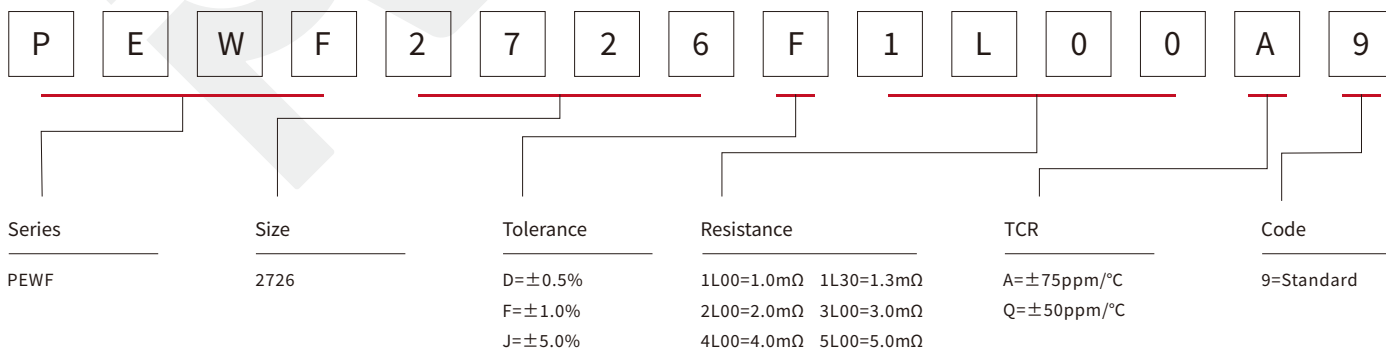


Not following the recommended land pattern design can seriously affect the temperature coefficient measurement results and current sensing accuracy!

Resistance	T	H	W	A	B	C	D	Packaging	Quantity	Net Weight
1.0mΩ	0.4±0.2	3.75±0.5	6.9±0.3	6.6±0.3	1.0±0.3	0.7±0.3	2.0±0.3	Tape&Reel	1200pcs	0.55±0.2g
1.3mΩ	0.4±0.2	3.50±0.5	6.9±0.3	6.6±0.3	1.0±0.3	0.7±0.3	2.0±0.3	Tape&Reel	1200pcs	0.45±0.2g
2.0mΩ	0.4±0.2	2.98±0.5	6.9±0.3	6.6±0.3	1.0±0.3	0.7±0.3	2.0±0.3	Tape&Reel	1200pcs	0.30±0.1g
3.0mΩ	0.4±0.2	2.85±0.5	6.9±0.3	6.6±0.3	1.0±0.3	0.7±0.3	2.0±0.3	Tape&Reel	1200pcs	0.25±0.1g
4.0mΩ	0.4±0.2	2.85±0.5	6.9±0.3	6.6±0.3	1.0±0.3	0.7±0.3	2.0±0.3	Tape&Reel	1200pcs	0.25±0.1g
5.0mΩ	0.4±0.2	2.85±0.5	6.9±0.3	6.6±0.3	1.0±0.3	0.7±0.3	2.0±0.3	Tape&Reel	1200pcs	0.25±0.1g

Part Number Information

Example:PEWF2726F1L00A9 (PEWF 2726 ±1.0% 1.0mΩ ±75ppm/°C Standard)



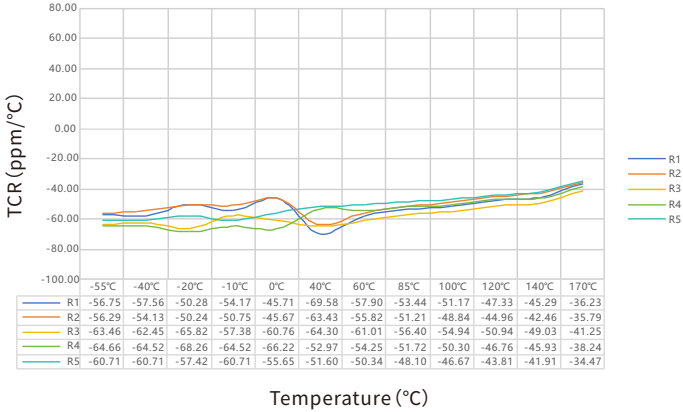
For higher/lower resistance, tighter tolerance, higher power, lower TCR and larger size, please contact us.

Performance

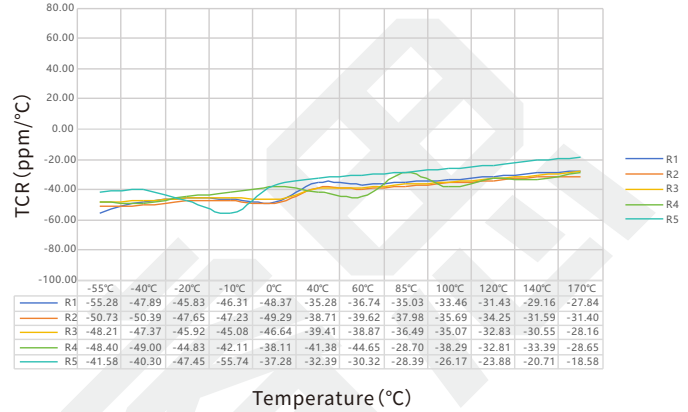
Test	Test Method	Standards	Typical	Max.
High Temperature Storage	1000h@+170°C, unpowered	AEC-Q200 TEST 3 MIL-STD-202 Method 108	$\Delta R \leq \pm 0.5\%$	$\Delta R \leq \pm 1.0\%$
Thermal Shock	-55°C, 15min~ambient temperature<20s~+155°C, 15min, 1000 cycles	AEC-Q200 TEST 16 MIL-STD-202 Method 107	$\Delta R \leq \pm 0.2\%$	$\Delta R \leq \pm 0.5\%$
Bias Humidity	+85°C, 85%RH, powered no less than 10% rated power for 1000h	AEC-Q200 TEST 7 MIL-STD-202 Method 103	$\Delta R \leq \pm 0.2\%$	$\Delta R \leq \pm 0.5\%$
Load Life	2000h @ +70°C, rated power, 90min on, 30min off +70°C refers to terminal temperature	AEC-Q200 TEST 8 MIL-STD-202 Method 108	$\Delta R \leq \pm 0.5\%$	$\Delta R \leq \pm 1.0\%$
Resistance to Solvent	Immerse in solvent for 3 min and wipe 10 times. Three cycles of three solvents. Dry at ambient temperature after cleaning	AEC-Q200 TEST 12 MIL-STD-202 Method 215	Clear marking. No visible damage	
Mechanical Shock	Half Sine Wave, peak acceleration 100g's, pulse duration 6ms, 3 times in each of six directions, on three different axes	AEC-Q200 TEST 13 MIL-STD-202 Method 213	$\Delta R \leq \pm 0.05\%$	$\Delta R \leq \pm 0.2\%$
Vibration	10-2KHz, 5g's, 20min/cycle, 12 cycles in each directions of X Y Z	AEC-Q200 TEST 14 MIL-STD-202 Method 204	$\Delta R \leq \pm 0.05\%$	$\Delta R \leq \pm 0.2\%$
Resistance to Solder Heat	+260°C constant temperature heating station for 10s	AEC-Q200 TEST 15 MIL-STD-202 Method 210	$\Delta R \leq \pm 0.2\%$	$\Delta R \leq \pm 0.5\%$
Solderability	+245°C tin bath for 3s	AEC-Q200 TEST 18 IEC 60115-1 4.17	No visible damage. 95% minimum coverage	
TCR	+20°C and +120°C, +20°C Ref.	AEC-Q200 TEST 19 IEC 60115-1 4.8	Refer to tested curve, Max. value $\leq \pm 75\text{ppm}/^\circ\text{C}$ (1m Ω ~2m Ω) and $\pm 50\text{ppm}/^\circ\text{C}$ (3m Ω ~5m Ω)	
Substrate Bending	2mm. Duration: 60s.	AEC-Q200 TEST 21 AEC-Q200-005	$\Delta R \leq \pm 0.1\%$	$\Delta R \leq \pm 0.5\%$
Short Time Overload	5x rated power, 5s	IEC 60115-1 4.13	$\Delta R \leq \pm 0.1\%$	$\Delta R \leq \pm 0.5\%$
Low Temperature Storage	-55°C for 96h, unpowered	IEC 60068-2-1	$\Delta R = 0$	$\Delta R \leq \pm 0.1\%$
Moisture Resistance	Apply T=24 h/cycle, zero power, method 7a and 7b are not required	MIL-STD-202 Method 106	$\Delta R = 0$	$\Delta R \leq \pm 0.2\%$

Temperature Coefficient of Resistance Test Curve

TCR Test Curve - PEWF2726 1.0mΩ



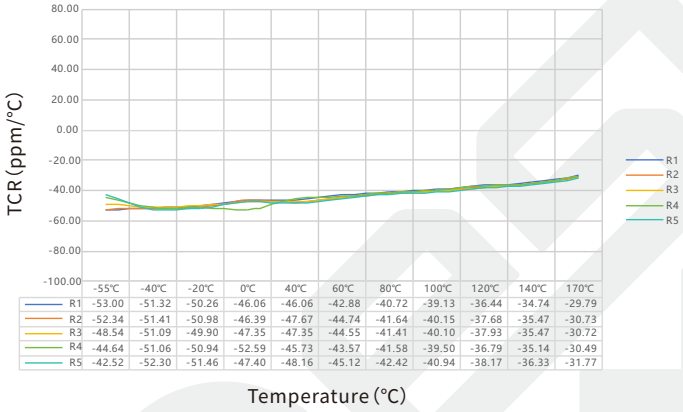
TCR Test Curve - PEWF2726 1.3mΩ



Temperature (°C)

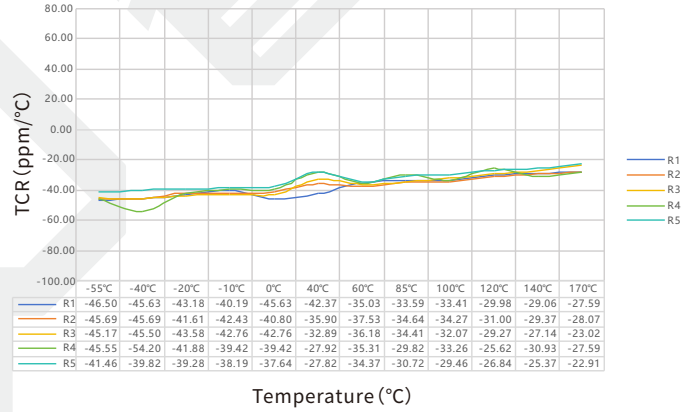
Temperature (°C)

TCR Test Curve - PEWF2726 2.0mΩ



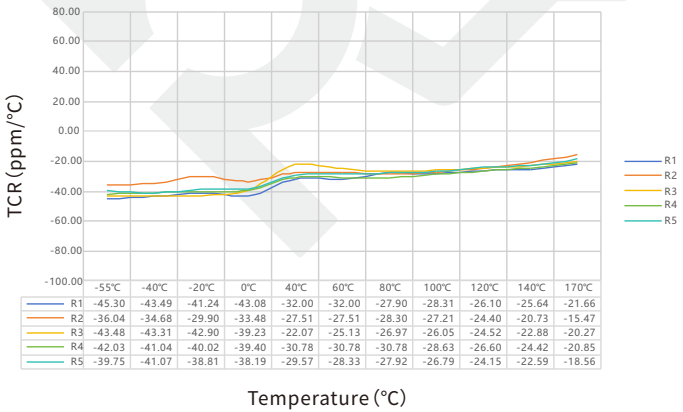
Temperature (°C)

TCR Test Curve - PEWF2726 3.0mΩ



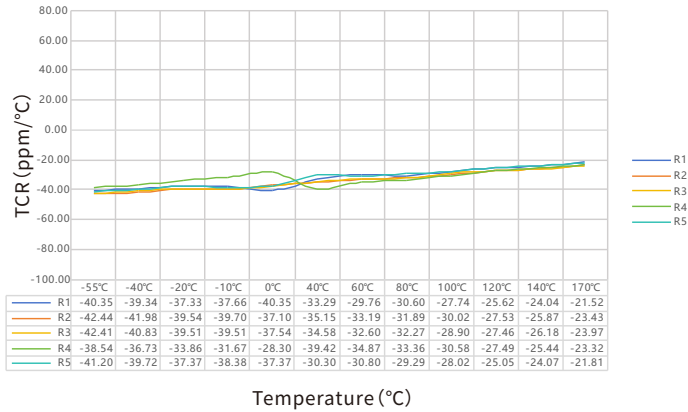
Temperature (°C)

TCR Test Curve - PEWF2726 4.0mΩ



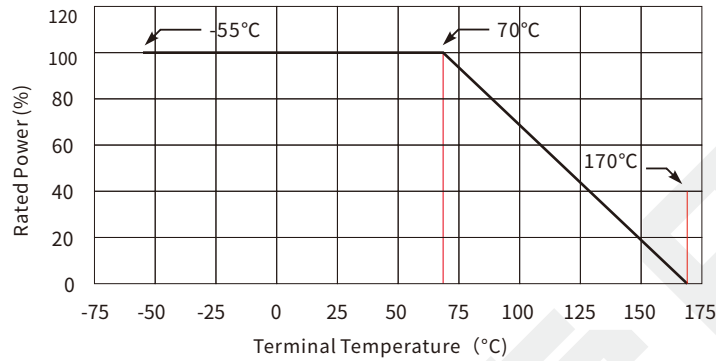
Temperature (°C)

TCR Test Curve - PEWF2726 5.0mΩ



Temperature (°C)

Derating Curve



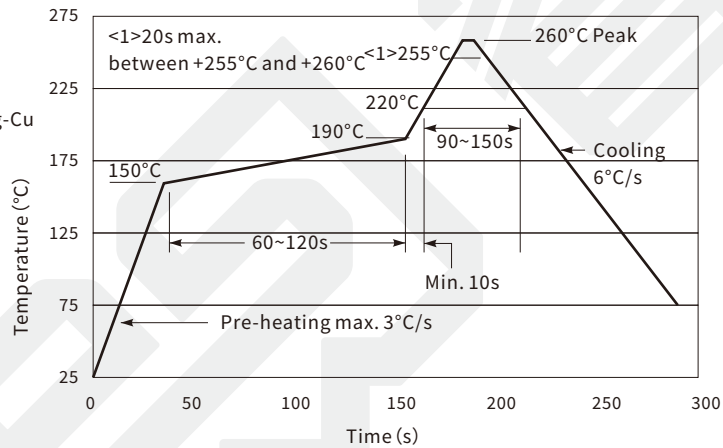
Reflow Soldering Profile

Resistor Surface Temperature:

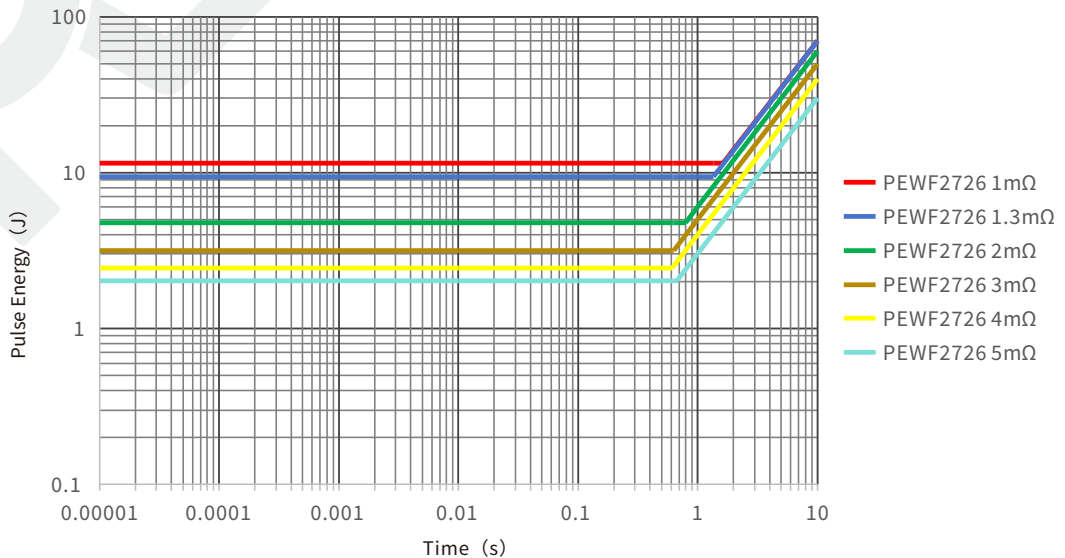
Pre-Heat: +150°C~+190°C, 60~120sec.

Reflow: Above +220°C, 90~150sec.

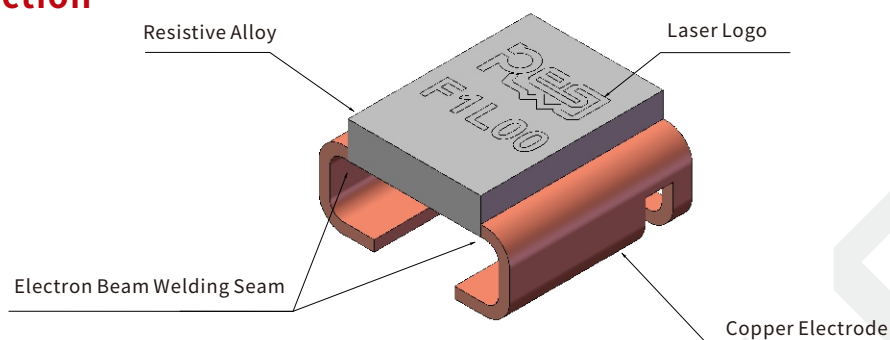
Applicable Solder Composition: Sn-Ag-Cu



Maximum Pulse Energy Curve



Construction



Marking

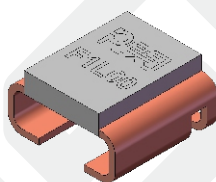
The first line (four digits) represents brand. The second line (five digits) represents tolerance and resistance.

Size

Illustration

Demonstration

2726



RESI: Brand
F: Tolerance
1L00: Resistance

Storage Instructions

- (1) Resistors should be stored at a temperature of 5 to 35 °C, with a humidity of <60% RH. The humidity should be kept as low as possible.
- (2) Resistors should be protected from direct sunlight.
- (3) Resistors should be stored in a clean and dry environment free of harmful gases (HCl, Sulfuric acid, H₂S, etc.)
- (4) Do not move the resistor from the packaging unless use it.
- (5) Under the above storage conditions, the resistor can be stored for at least 1 year.

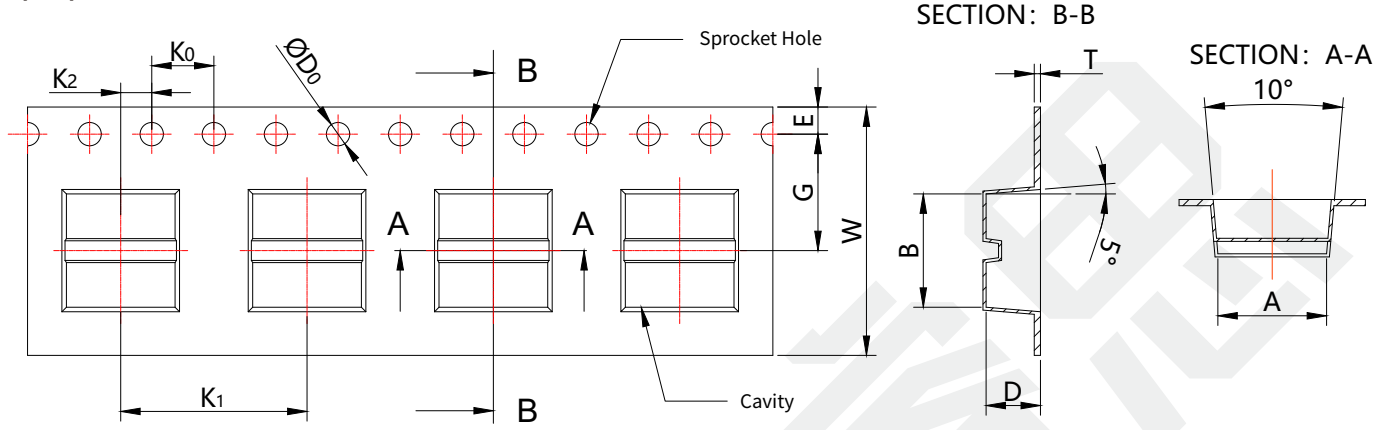
Usage Suggestions

- (1) Please protect the surface of the resistor during use. Prevent defects such as scratches, bumps, and oil stains on the surface.
- (2) Do not use sharp tweezers to move the resistor. Scratches on the surface can cause resistance drift and resistor failure.
- (3) When installing and using resistors, avoid the impact of mechanical stress on the resistor.
- (4) The long-term operating power of resistors should be less than the rated power to avoid resistance drift caused by long-term overload.
- (5) Please refer to the derating curve when operating under high temperature conditions or poor heat dissipation environment.
- (6) If the operating conditions exceed the pulse specified in the pulse curve, a systematic evaluation is required.
- (7) If the resistor is not used after being moved from the packaging, it should be stored under vacuum to avoid risks such as poor solderability caused by oxidation of the resistor.

Packaging

Tape Specifications

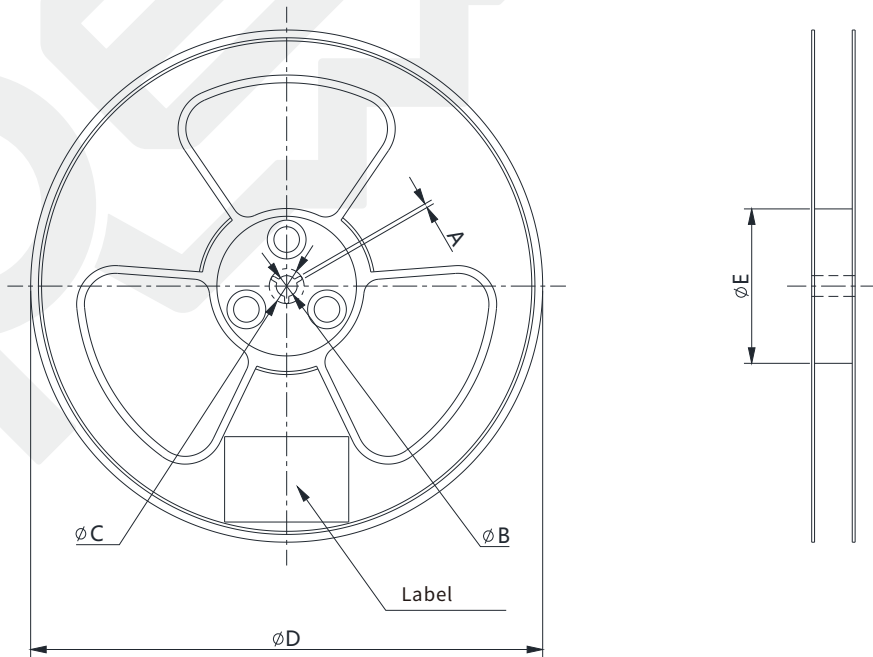
Unit:mm



Resistance	A	B	φD ₀	K ₀	K ₁	K ₂	E	G	W	D	T
1.0mΩ	7.0±0.1	7.3±0.1	1.5±0.1	4.0±0.1	12.0±0.1	2.0±0.1	1.75±0.1	7.5±0.1	16.0±0.3	4.2±0.1	0.4±0.05
1.3mΩ	7.0±0.1	7.3±0.1	1.5±0.1	4.0±0.1	12.0±0.1	2.0±0.1	1.75±0.1	7.5±0.1	16.0±0.3	4.2±0.1	0.4±0.05
2.0mΩ	7.0±0.1	7.3±0.1	1.5±0.1	4.0±0.1	12.0±0.1	2.0±0.1	1.75±0.1	7.5±0.1	16.0±0.3	3.5±0.1	0.4±0.05
3.0mΩ	7.0±0.1	7.3±0.1	1.5±0.1	4.0±0.1	12.0±0.1	2.0±0.1	1.75±0.1	7.5±0.1	16.0±0.3	3.5±0.1	0.4±0.05
4.0mΩ	7.0±0.1	7.3±0.1	1.5±0.1	4.0±0.1	12.0±0.1	2.0±0.1	1.75±0.1	7.5±0.1	16.0±0.3	3.5±0.1	0.4±0.05
5.0mΩ	7.0±0.1	7.3±0.1	1.5±0.1	4.0±0.1	12.0±0.1	2.0±0.1	1.75±0.1	7.5±0.1	16.0±0.3	3.5±0.1	0.4±0.05

Reel Specifications

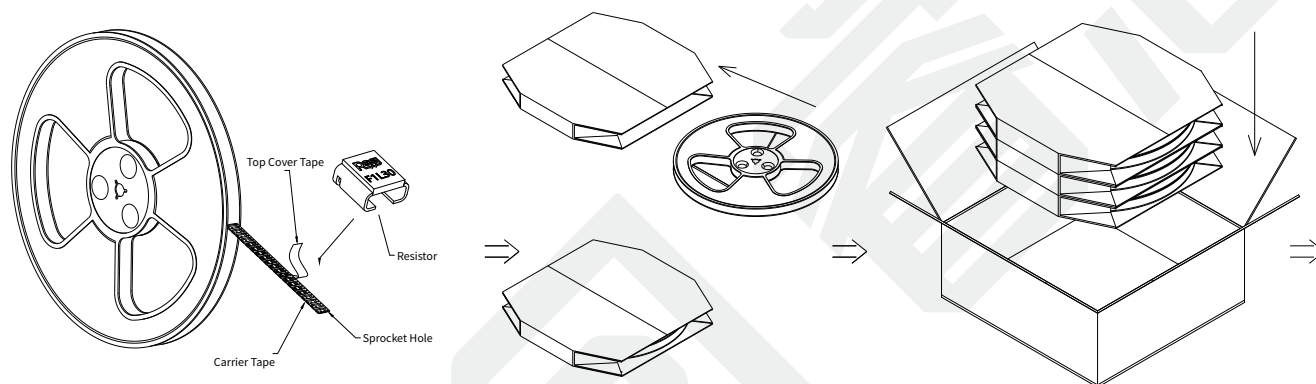
Unit:mm



A	φB	φC	φD	φE
1.5 Min.	13.0 +0.5/-0.2	20.2 Min.	330±2	100±2

Packaging

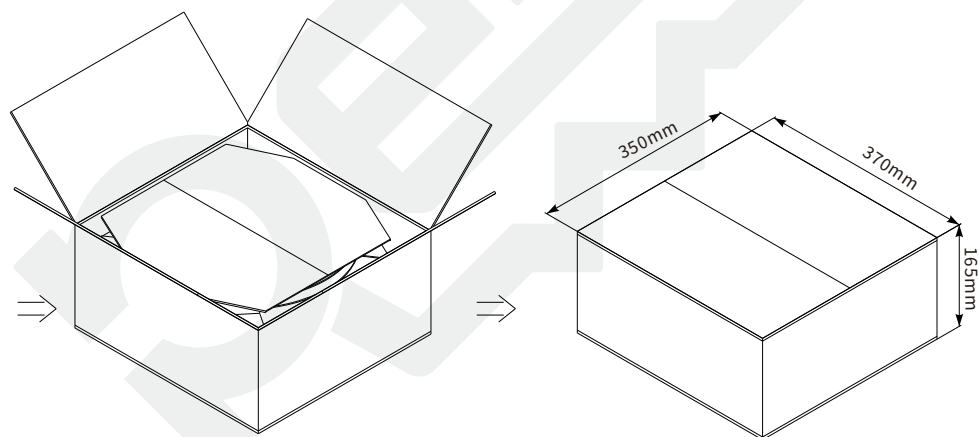
- (1) 1200 pcs. resistors are packed in a tape and wrapped in a reel;
- (2) Every 1 reel is packed by a cardboard sleeve case. The size of the cardboard is 335mm*340mm*37mm;
- (3) Place every 3 cases into a box (3600 pcs. / box);
- (4) Box size: 350mm*370mm*165mm.



1. 1200 pcs. resistors are packed in a tape and wrapped in a reel.

2. Every 1 reel is packed by a cardboard sleeve case. The size of the cardboard is 335mm*340mm*37mm;

3. Place every 3 cases into a box (3600 pcs. / box).



4. Bubble wrap or EPE should be placed to prevent products from shaking or vibration.

5. Box size: 350mm*370mm*165mm

Popular Part Numbers

Part Number	Size	Tolerance	Resistance	TCR	Power	Max. Operating Current
PEWF2726D1L00A9	2726	±0.5%	1.0mΩ	±75ppm/°C	7W	83A
PEWF2726F1L00A9	2726	±1.0%	1.0mΩ	±75ppm/°C	7W	83A
PEWF2726J1L00A9	2726	±5.0%	1.0mΩ	±75ppm/°C	7W	83A
PEWF2726D1L30A9	2726	±0.5%	1.3mΩ	±75ppm/°C	7W	73A
PEWF2726F1L30A9	2726	±1.0%	1.3mΩ	±75ppm/°C	7W	73A
PEWF2726J1L30A9	2726	±5.0%	1.3mΩ	±75ppm/°C	7W	73A
PEWF2726D2L00A9	2726	±0.5%	2.0mΩ	±75ppm/°C	6W	54A
PEWF2726F2L00A9	2726	±1.0%	2.0mΩ	±75ppm/°C	6W	54A
PEWF2726J2L00A9	2726	±5.0%	2.0mΩ	±75ppm/°C	6W	54A
PEWF2726D3L00Q9	2726	±0.5%	3.0mΩ	±50ppm/°C	5W	40A
PEWF2726F3L00Q9	2726	±1.0%	3.0mΩ	±50ppm/°C	5W	40A
PEWF2726J3L00Q9	2726	±5.0%	3.0mΩ	±50ppm/°C	5W	40A
PEWF2726D4L00Q9	2726	±0.5%	4.0mΩ	±50ppm/°C	4W	31A
PEWF2726F4L00Q9	2726	±1.0%	4.0mΩ	±50ppm/°C	4W	31A
PEWF2726J4L00Q9	2726	±5.0%	4.0mΩ	±50ppm/°C	4W	31A
PEWF2726D5L00Q9	2726	±0.5%	5.0mΩ	±50ppm/°C	3W	24A
PEWF2726F5L00Q9	2726	±1.0%	5.0mΩ	±50ppm/°C	3W	24A
PEWF2726J5L00Q9	2726	±5.0%	5.0mΩ	±50ppm/°C	3W	24A

Revision

Version	Revised Content	Date	Approver
V0	Initial Issue	2024.08.26	LWW

Disclaimer

All products, datasheets and data can be changed without prior notice.

C&B Electronics Shenzhen CO., LTD., its affiliates, distributors, employees, and any other person acting on its behalf (collectively referred to as "C&B Electronics") shall not bear any legal responsibility for any errors, inaccuracies, or incompleteness of information related to the product disclosed under this agreement or other disclosures.

Product datasheet does not constitute an extension or revision of the purchase terms and conditions in C&B Electronics, including but not limited to the warranties under this agreement.

Unless specified in the purchase terms and conditions, C&B Electronics makes no guarantees, representations or warranties.

To the maximum extent permitted by applicable laws, C&B Electronics hereby makes the following disclaimer:

- (1) All liabilities arising from the use of the product;**
- (2) Including but not limited to all liabilities arising from special, indirect or incidental damages;**
- (3) All implied warranties, including warranties of suitability for special purposes, non infringement possibility, and marketability.**

The information provided in the datasheet and parameter tables may vary in different applications, and the performance of the product may change over time. The recommended application instructions for the product are based on C&B Electronics' understanding and experience of typical requirements. Customers are obligated to verify whether the product is suitable for a specific application based on the parameters provided in the datasheet. Before officially installing or using the product, you should ensure that you have obtained the latest version of relevant information, which can be obtained through the website: resistor.today.

The signing of this agreement does not constitute an express, implied or other form of license related to all intellectual property rights of C&B Electronic Products.

Unless explicitly stated, the products listed in this agreement are not applicable to lifesaving or life sustaining products. In the absence of a clear indication, the customer shall bear all risks caused by unauthorized use of the above products and agree to fully compensate C&B Electronics for all losses caused by such sales or use. For written product terms for such special applications, please contact authorized personnel from C&B Electronics to obtain.

The names and markings on the listed products may be trademarks owned by others.