



Product Introduction

The Innovator of Weather-resistant Connector Solution





◆ Circular Series

- ◆ C1 size
- ◆ C2 size
- ◆ C3 size
- ◆ C4 size
- ◆ C5 size



◆ RJ Series

- ◆ Metal
- ◆ Plastic



◆ DSUB Series

- ◆ 9P
- ◆ HD 15P

◆ Sensor Series

- ◆ M5
- ◆ M8
- ◆ M12



◆ NMEA2000 Series

- ◆ Micro
- ◆ Mini



◆ USB/Mini USB Series

- ◆ USB A/B
- ◆ Mini USB
- ◆ Micro USB
- ◆ USB A/B 3.0
- ◆ Dual USB-A
- ◆ USB Type C



◆ (M6) SNAP-IN

- ◆ 2-3 Pin (5A)
- ◆ 6 Pin (2A)



◆ Magnet Series

- ◆ 5A



◆ Hybrid Series

- ◆ C2 size
- ◆ C3 size
- ◆ C4 size
- ◆ C5 size



◆ Push Lock

- ◆ 5 Pin (4A)
- ◆ 3 Pin (10A)



◆ HDMI Series

- ◆ Metal
- ◆ Plastic



◆ Power Series

- ◆ 30A
- ◆ 41A



◆ DC Series

- ◆ 7A (2.5mm)



◆ MINI MATE

- ◆ 8 Pin (3A)



◆ SFP Series

- ◆ Fiber Optical Module





Acquiring U.S. Patent issued by USPTO in March, 2014

Circular and square mounting design,
Medical Grade Versions Available
IP68/IP69K Protection Degree



User-friendly and unique twist lock design
IP68 waterproof metal circular connector



41A Power



25A Power

**Design for smart grid application in
renewable energy market**

Used for inverter and for micro inverter

Easy Field Installation design, require tool to unlock safely



Best solution for marine application
IP68 anti-collision protection Metal RJ45 series



The worlds' first IP67 waterproof USB 3.0 connector

USB 3.0 meet max transfer speed of 5Gbps



The New USB Generation

Satisfy IP68 waterproof standard with USB 3.2 specification
Speed up to 10Gbps



Dual USB Socket Charger design for car and marine application

IP65 waterproof dual USB-A 2.0 connector with waterproof cap
Can charge two devices at the same time

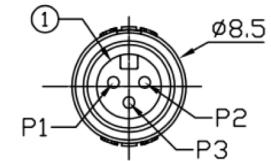
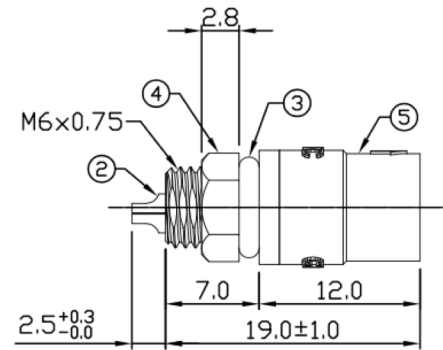


Innovative Solution for Easily Mating

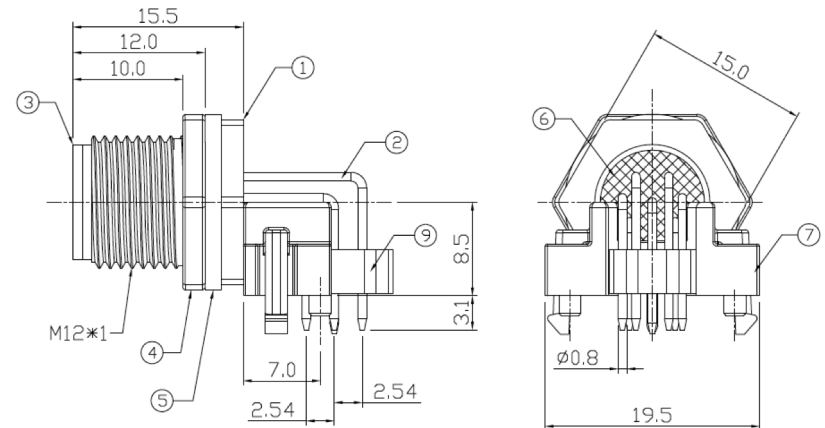
Provide flexibility of cable routing for safety and convenience
5A for power supply



Customized Solution to fulfill Customer Requests
Hybrid Connector 15A+2A Male/Female With Shell



Best IP67 Connector for Space Saver
compact size with fast and easy plug-in & plug-out



Expand Your Choices For Industrial Use

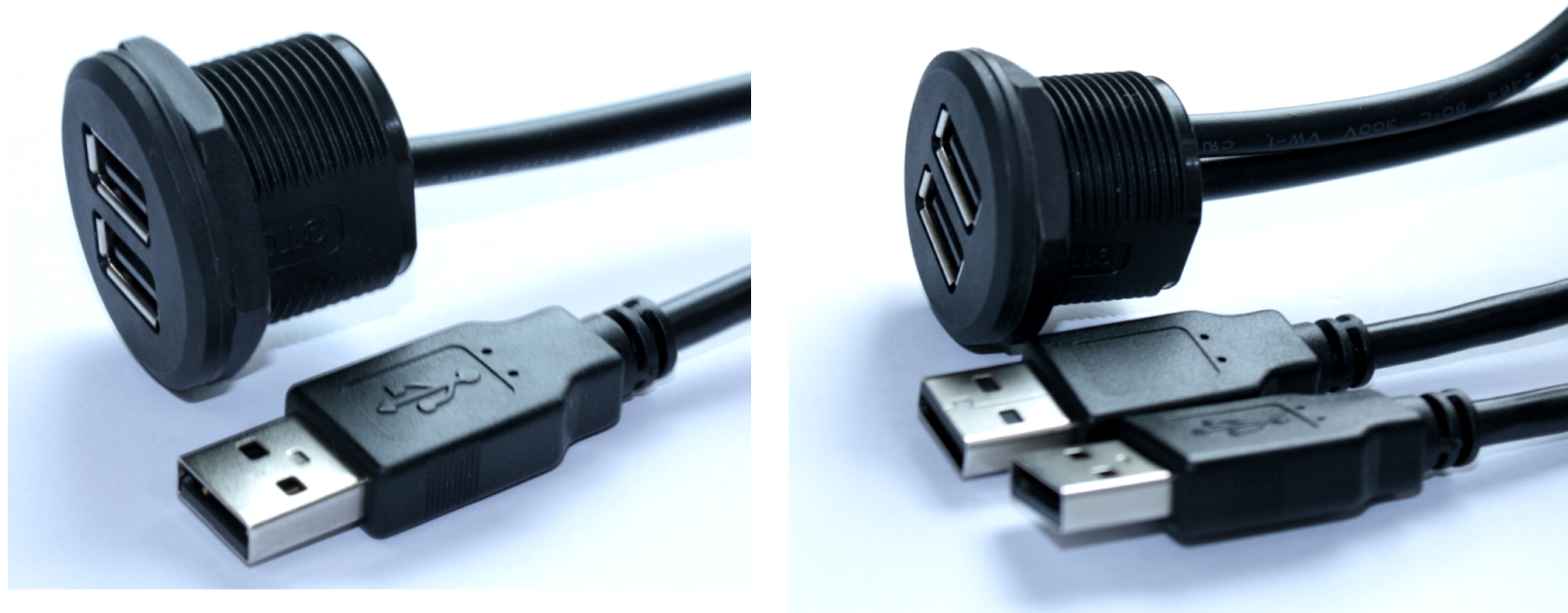
M12 Right Angle Panel Connector with Board Lock

Increase structure strength in securing to printed circuit board



Waterproof Mini Match 2-8 Pins Connector

Feature fully isolated terminals, positive housing locks, low-engagement forces and polarized housings and receptacles



New Dual USB Socket Charger

IP67 waterproof dual USB-A 2.0 connector
with rear-mounted design



The New USB TYPE C Solution

New IP67 waterproof USB TYPE-C panel connector
with rear-mounted design