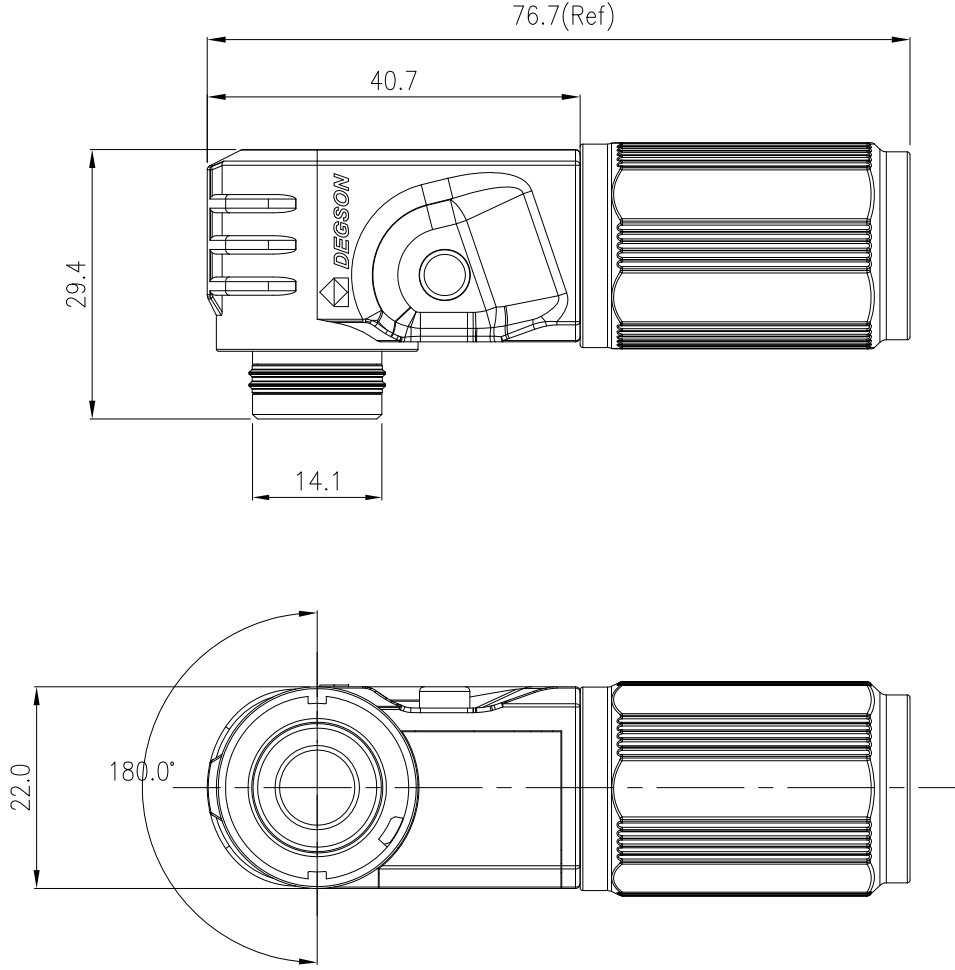


Transfer or duplication of this document as well as the utilization or communication of its contents are prohibited unless explicit authorization is granted. Violations will be liable for compensation. All rights reserved for patent, utility, model or designs registrations. 除非给予明确授权，否则禁止转让、复制、利用、交易本文件的内容。侵犯者将承担赔偿责任。未经许可擅自利用本文件的所有权利。

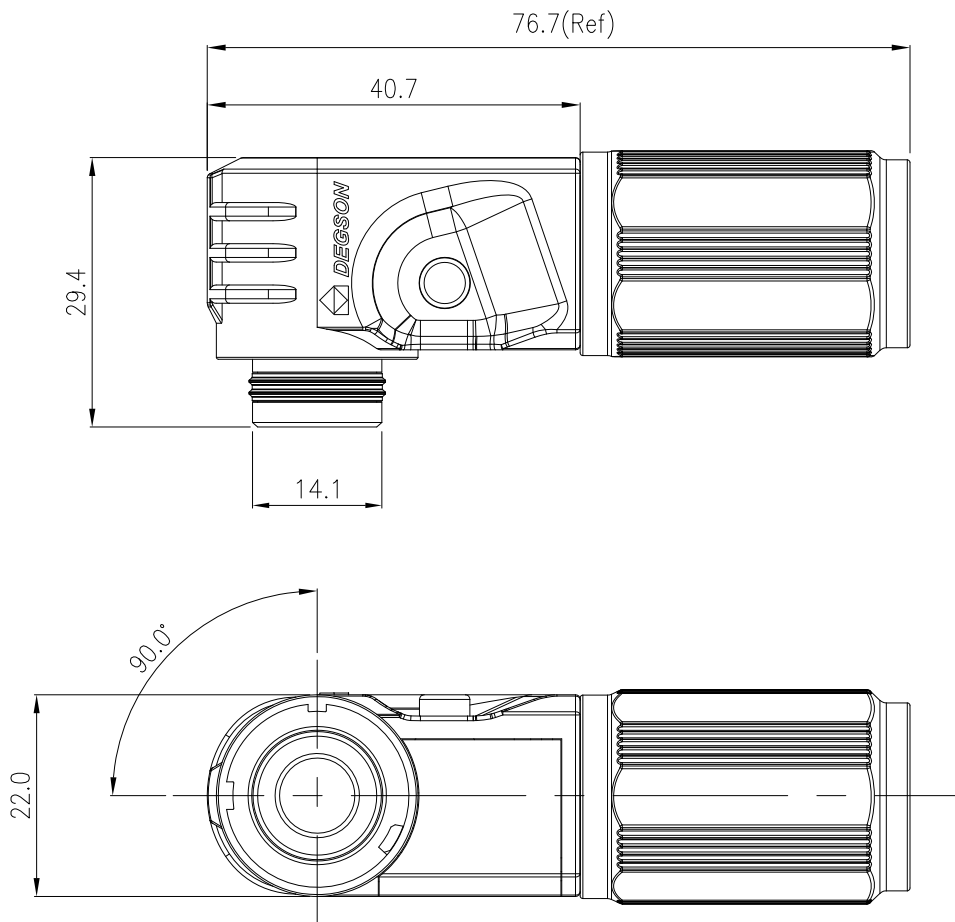


Dimensional tolerance(mm)					0.10/10 ±2'
0 ~ 30	>30 ~ 60	>60 ~ 100	>100 ~ 150	>150	
±0.25	±0.35	±0.55	±0.80	±1.10	

额定电压电流/Rated Voltage/Current	1000Vac/150A
绝缘电阻/Insulation resistance	≥100MΩ
插拔次数/Mechanical working life(mating cycles)	20
使用温度范围/Operating temperature(°C)	-40~+120
防水等级/Levels of protection	IP67
接线方式/Terminal	Crimp
符合RoHS环保要求/Conform to RoHS	Yes

MATERIAL:		SURFACE:	
MAT NO.:		宁波高松电子有限公司 NINGBO DEGSON ELECTRICAL CO., LTD	
STATUS:	/		
APPD:		NAME: ESP-8-35-S-BK-1	
CHKD:			
DRFT: Yuan ZH 2021.03.02		DRAWING NO.:	/
REV	ECN	DESCRIPTION	DRFT
			DATE
		SIZE: A4	TYPE: CUSTOMER DRAWING
		SCALE: 1:1	SHEET 1/1

Transfer or duplication of this document as well as the utilization or communication of its contents are prohibited unless explicit authorization is granted. Violations will be liable for compensation. All rights reserved for patent, utility, model or designs registrations. 除非给予明确授权，否则禁止转让、复制、利用、交易本文件的内容。侵权者将承担赔偿责任。本公司保留就涉及发明、实用新型和外观设计的所有权利。

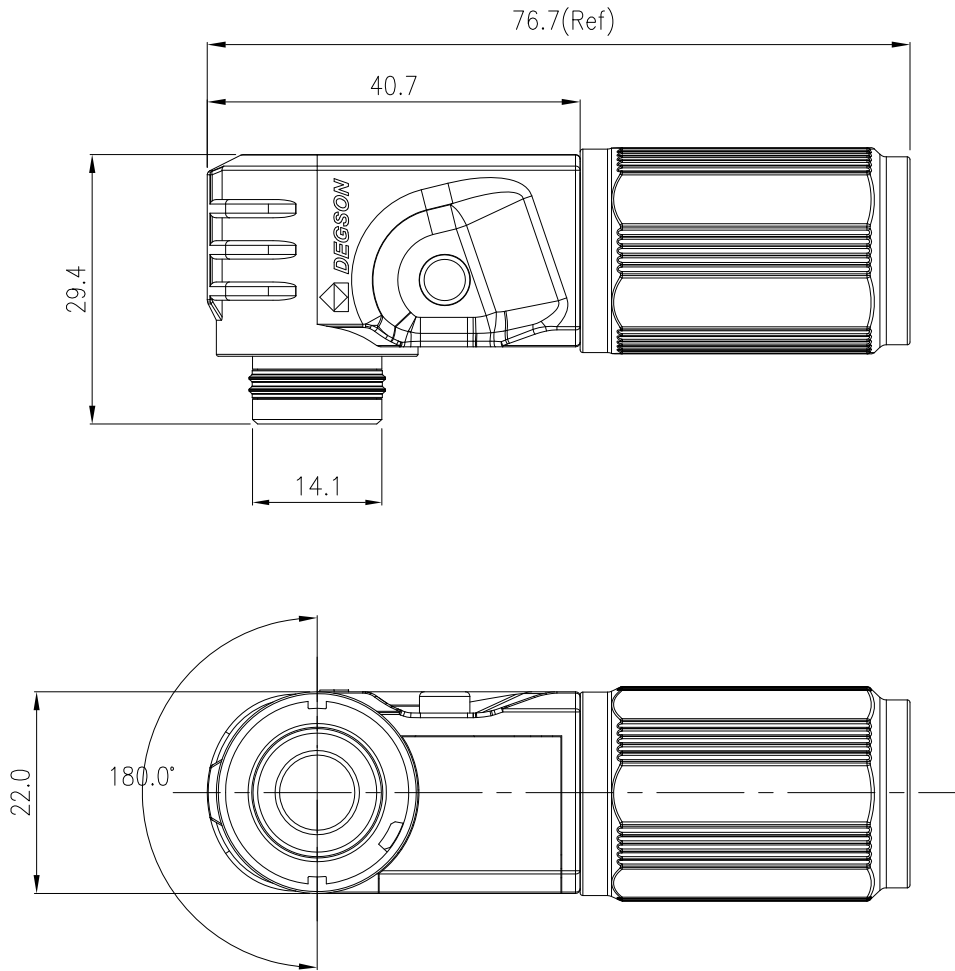


Dimensional tolerance(mm)					0.10/10 ±2°
0 ~ 30	>30 ~ 60	>60 ~ 100	>100 ~ 150	>150	
±0.25	±0.35	±0.55	±0.80	±1.10	

额定电压电流/Rated Voltage/Current	1000Vac/150A
绝缘电阻/Insulation resistance	≥100MΩ
插拔次数/Mechanical working life(mating cycles)	20
使用温度范围/Operating temperature(°C)	-40~+120
防水等级/Levels of protection	IP67
接线方式/Terminal	Crimp
符合RoHS环保要求/Conform to RoHS	Yes

MATERIAL:	SURFACE:							
MAT NO.:	宁波高松电子有限公司 NINGBO DEGSON ELECTRICAL CO., LTD							
STATUS: /	NAME: ESP-8-35-S-OR-0							
APPD:	DRAWING NO.:							
CHKD:	REV: D0-1							
DRFT: Yuan ZH 2021.03.02	DATE: / /							
REV	ECN	DESCRIPTION	DRFT	DATE	SIZE: A4	TYPE: CUSTOMER DRAWING	SCALE: 1:1	SHEET: 1/1

Transfer or duplication of this document as well as the utilization or communication of its contents are prohibited unless explicit authorization is granted. Violations will be liable for compensation. All rights reserved for patent, utility, model or designs registrations. 除非给予明确授权，否则禁止转让、复制、利用、交易本文件的内容。未经许可擅自复制或发明、实用新型和外观设计的所有权利。

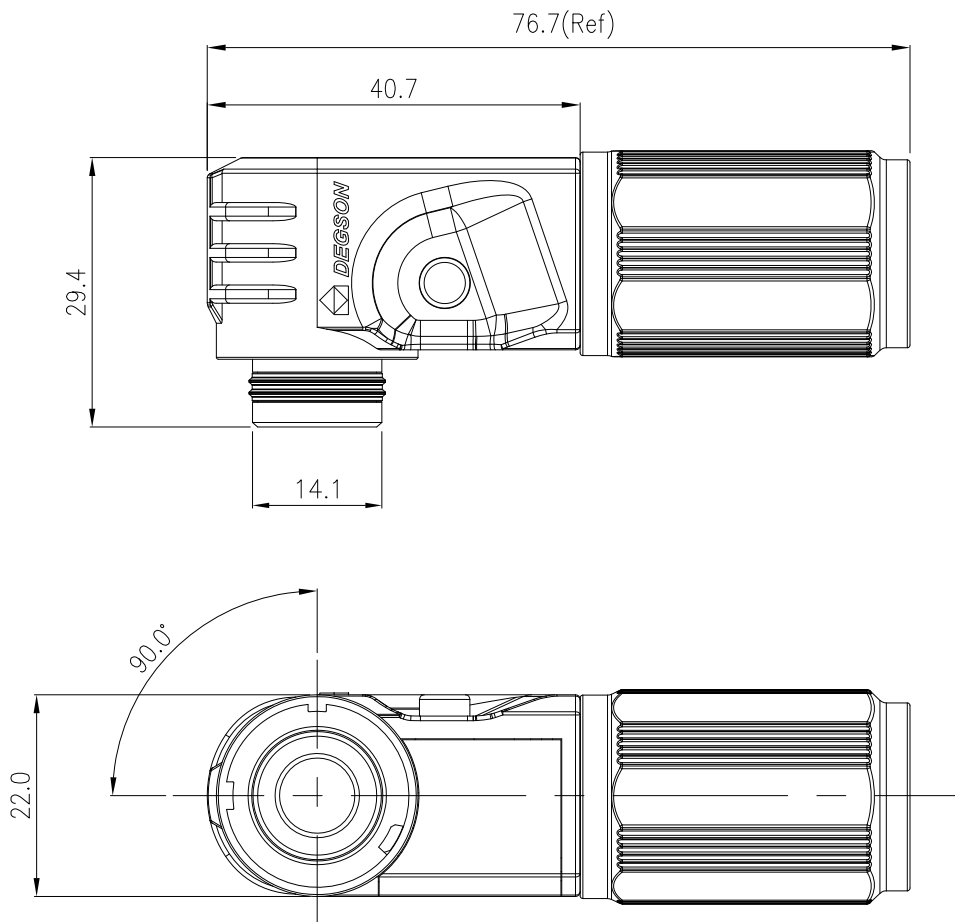


Dimensional tolerance(mm)					0.10/10 ±2°
0 ~ 30	>30 ~ 60	>60 ~ 100	>100 ~ 150	>150	
±0.25	±0.35	±0.55	±0.80	±1.10	

额定电压电流/Rated Voltage/Current	1000Vac/200A
绝缘电阻/Insulation resistance	≥100MΩ
插拔次数/Mechanical working life(mating cycles)	20
使用温度范围/Operating temperature(°C)	-40~+120
防水等级/Levels of protection	IP67
接线方式/Terminal	Crimp
线径范围/Wire range(mm ²)	50mm ²
剥线长度/Stripping length(mm)	13~15
符合RoHS环保要求/Conform to RoHS	Yes

MATERIAL:		SURFACE:	
MAT NO.:		宁波高松电子有限公司 NINGBO DEGSON ELECTRICAL CO., LTD	
STATUS: /			
APPD:		NAME: ESP-8-50-S-BK-1	
CHKD:			
DRFT: Yuan ZH 2021.03.02		DRAWING NO.: /	
REV	ECN	DESCRIPTION	DRFT
			DATE
SIZE: A4		TYPE: CUSTOMER DRAWING	
SCALE: 1:1		SHEET 1/1	

Transfer or duplication of this document as well as the utilization or communication of its contents are prohibited unless explicit authorization is granted. Violations will be liable for compensation. All rights reserved for patent, utility, model or designs registrations. 除非给予明确授权，否则禁止转让、复制、利用、交易本文件的内容。未经许可擅自复制或发明、实用新型和外专利的所有权利。



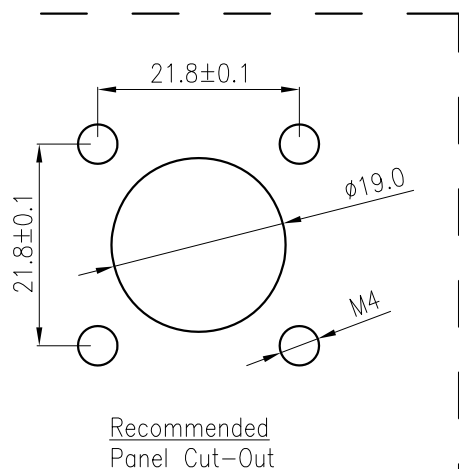
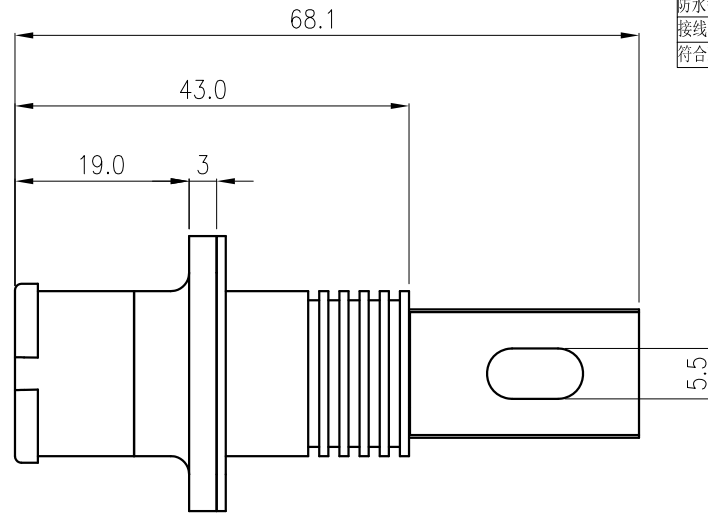
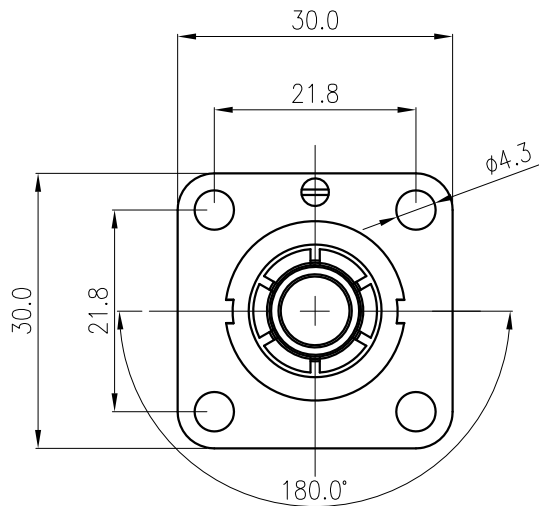
Dimensional tolerance(mm)					0.10/10 ±2°
0 ~ 30	>30 ~ 60	>60 ~ 100	>100 ~ 150	>150	
±0.25	±0.35	±0.55	±0.80	±1.10	

额定电压电流/Rated Voltage/Current	1000Vac/200A
绝缘电阻/Insulation resistance	≥100MΩ
插拔次数/Mechanical working life(mating cycles)	20
使用温度范围/Operating temperature(°C)	-40~+120
防水等级/Levels of protection	IP67
接线方式/Terminal	Crimp
线径范围/Wire range(mm ²)	50mm ²
剥线长度/Stripping length(mm)	13~15
符合RoHS环保要求/Conform to RoHS	Yes

MATERIAL:		SURFACE:			
MAT NO.:		宁波高松电子有限公司 NINGBO DEGSON ELECTRICAL CO., LTD			
STATUS: /					
APPD:		NAME: ESP-8-50-S-OR-0			
CHKD:					
DRFT: Yuan ZH 2021.03.02		DRAWING NO.:		REV	D0-1
REV	ECN	DESCRIPTION	DRFT	DATE	
SIZE: A4		TYPE: CUSTOMER DRAWING		SCALE: 1:1	SHEET 1/1

Dimensional tolerance(mm)					0.10/10 ±2°
0 ~ 30	>30 ~ 60	>60 ~ 100	>100 ~ 150	>150	
±0.25	±0.35	±0.55	±0.80	±1.10	

额定电压电流/Rated Voltage/Current	1000Vac/200A
绝缘电阻/Insulation resistance	≥100MΩ
插拔次数/Mechanical working life(mating cycles)	20
使用温度范围/Operating temperature(°C)	-40~+120
防水等级/Levels of protection	IP67
接线方式/Terminal	Busbar
符合RoHS环保要求/Conform to RoHS	Yes



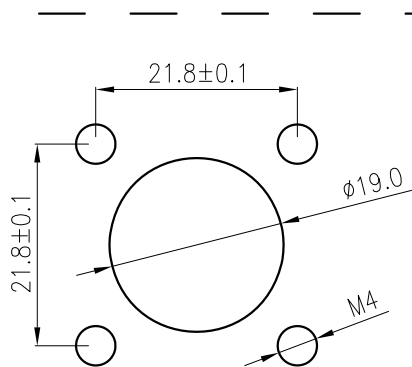
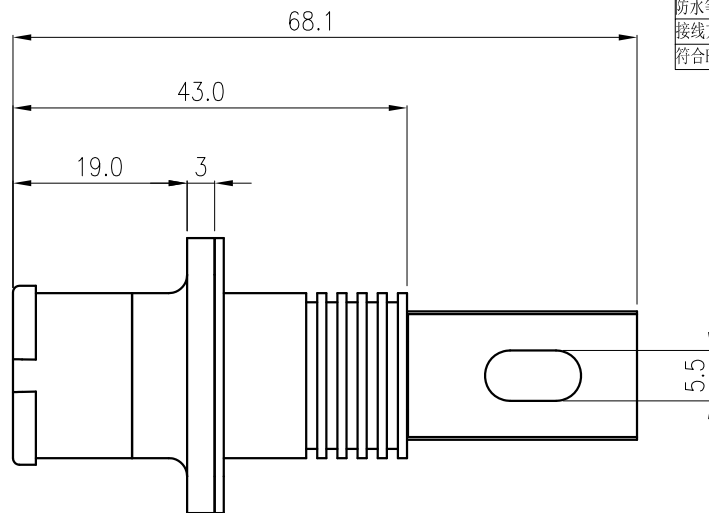
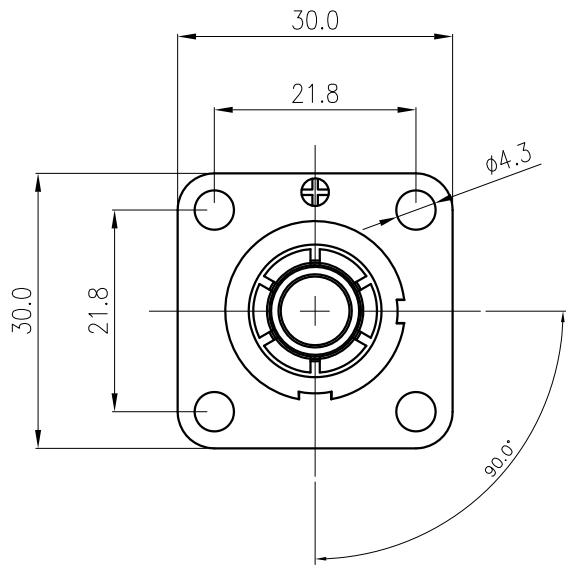
MATERIAL:		SURFACE:	
MAT NO.:		宁波高松电子有限公司 NINGBO DEGSON ELECTRICAL CO., LTD	
STATUS:	/		
APPD:		NAME: ESS-8-50-B-S-BK-1	
CHKD:			
DRFT: Yuan ZH 2021.03.02		DRAWING NO.:	/
REV	ECN	DESCRIPTION	DRFT
			DATE
SIZE: A4		TYPE: CUSTOMER DRAWING	
SCALE: 1:1		SHEET 1/1	

Transfer or duplication of this document as well as the utilization or communication of its contents are prohibited unless explicit authorization is granted. Violations will be liable for compensation. All rights reserved for patent, utility, model or designs registrations. 除非给予明确授权，否则禁止转让、复制、利用、交易本文件的内容。侵犯者将承担赔偿责任。本公司保留就涉及发明、实用新型和外观设计的所有权利。

Transfer or duplication of this document as well as the utilization or communication of its contents are prohibited unless explicit authorization is granted. Violations will be liable for compensation. All rights reserved for patent, utility, model or designs registrations. 除非给予明确授权，否则禁止转让、复制、利用、交寄本文件的内容。侵犯者将承担法律责任。本公司保留就涉及发明、实用新型和外观设计的所有权利。

Dimensional tolerance(mm)					0.10/10 ±2°
0 ~ 30	>30 ~ 60	>60 ~ 100	>100 ~ 150	>150	
±0.25	±0.35	±0.55	±0.80	±1.10	

额定电压电流/Rated Voltage/Current	1000Vac/200A
绝缘电阻/Insulation resistance	≥100MΩ
插拔次数/Mechanical working life(mating cycles)	20
使用温度范围/Operating temperature(°C)	-40~+120
防水等级/Levels of protection	IP67
接线方式/Terminal	Busbar
符合RoHS环保要求/Conform to RoHS	Yes



Recommended
Panel Cut-Out

REV	ECN	DESCRIPTION	DRFT	DATE

MATERIAL:		SURFACE:	
MAT NO.:		宁波高松电子有限公司 NINGBO DEGSON ELECTRICAL CO., LTD	
STATUS:	/		
APPD:		NAME: ESS-8-50-B-S-OR-0	
CHKD:		DRAWING NO.:	
DRFT: Yuan ZH 2021.03.02		REV: D0-1	
SIZE: A4	mm (inch)	TYPE: CUSTOMER DRAWING	SCALE: 1:1 SHEET: 1/1