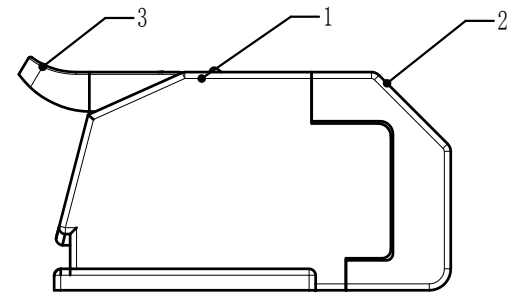
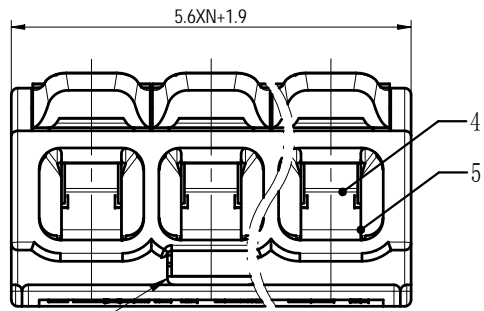
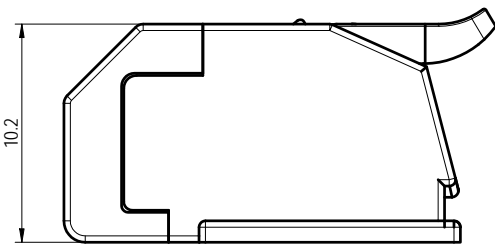
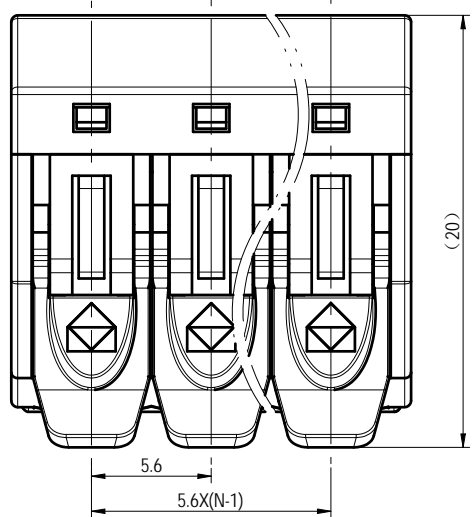
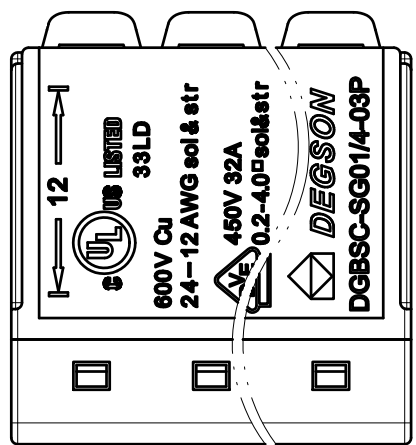
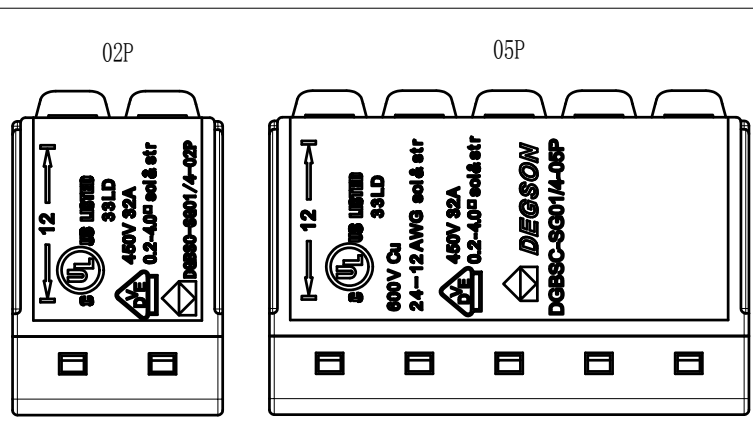


未注公差/General tolerances (mm)											D 0.1/10		
0	>3	>6	>10	>18	>30	>50	>80	>120	>180	>250		>315	>400
±0.12	±0.18	±0.22	±0.26	±0.31	±0.37	±0.57	±0.80	±0.93	±1.05	±1.15	±1.60	±2.20	±2.50
UL 标准/UL Standard:											600		
额定电压/Rated Voltage(V)													
IEC 标准/IEC Standard:											III/3	III/2	II/2
过压类别/Overvoltage Category/污染等级/Pollution Degree													
额定电压/电流/Rated Voltage(V)/Current(A)											/	450/32	/
工频耐压/Withstanding voltage(V/1Min)											/	AC2500	/
线径范围(硬线和软线)/Wire Range(rigid and flexible)(AWG/mm²)											24-12 / 0.2-4.0		
间距/Pitch(mm)/线数范围/Poles											5.6/N=05P		
剥线长度/Stripping length(mm)											12		
使用温度范围/Operating temperature(°C)											-40~+85 (IEC)		
符合RoHS环保要求/Conform to RoHS											Yes		
Mark/DGBSC-SG01/4-02P: 600V Cu 24-12AWG sol&str													
包装方式/Manner of packing											盒装/box-packed		
											2P:100pcs;3P:50pcs;5P:30pcs		



The test hole at 02P is on the right



5	Current carrier	Copper	Sn Plated
4	Spring	Stainless steel	/
3	Button	PA66+GF	UL94V-0
2	Cover	PC	UL94V-2
1	Housing	PC	UL94V-2
ITEM	NAME OF PART	MATERIAL	NOTES

DEGSON		MATERIAL: 材质		SURFACE/COLOR: 表面处理	
APPD: /	/	MAT NO./REV: 物料编码	/00	MAT STATUS: 批量	
CHKD: /	/	NAME			
DGBSC-SG01/4-XXP (17-10ZH)					
DRFT: SVT	2023.04.10	DRAWING NO.	TYPE	DRAWING STATUS	SCALE
图号		图纸类型		图纸状态	SHEET
A3				1:1	2/2

图纸版本	ECN	变更描述	设计人	设计日期
REV	ECN	DESCRIPTION	DRFT	DATE

Transfer or duplication of this document as well as the utilization of its contents without the written permission of DEGSON is prohibited. All rights reserved for patent. 未经授权复制或传播本文件及其内容，或未经许可使用其内容，均属侵权行为。DEGSON 保留所有权利。如有专利，恕不另行通知。