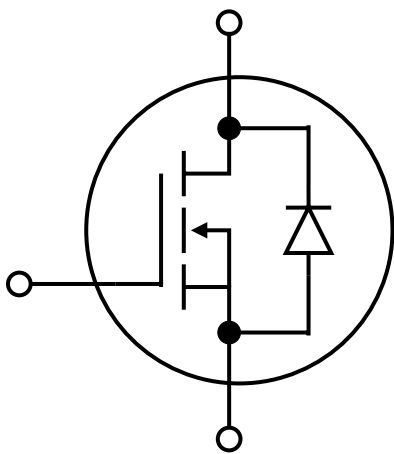


(POWER) MOSFETS



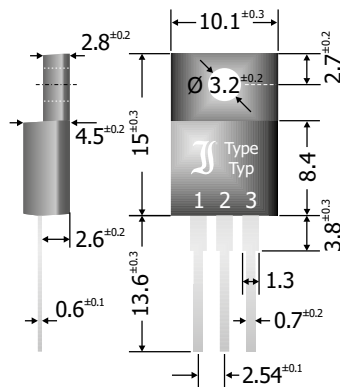
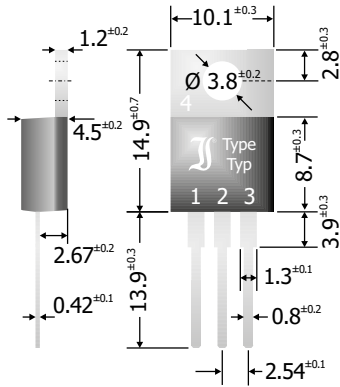
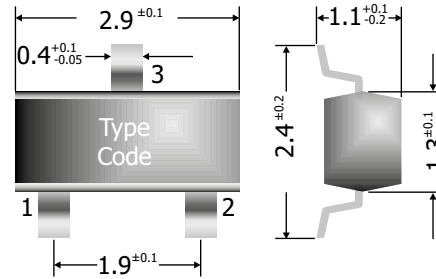
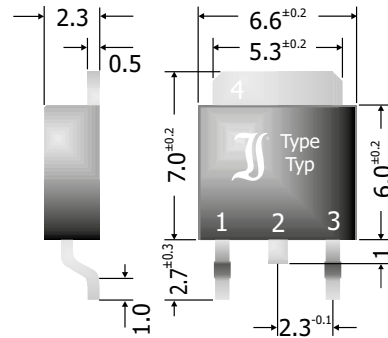
Using Advanced Trench Technology

Features/Benefits

- › Advanced Trench Technology
- › Low on-state Resistance
- › Fast Switching Times
- › Low Gate Charge
- › Avalanche rated

Applications

- › DC/DC Converter
- › Power Supplies
- › DC Drives
- › Power Tools
- › Power Factor Correction

TO-220AB
ITO-220AB

D-PAK
SOT-23


Energy saving by low $R_{DS(on)}$ and fast switching times


(POWER) MOSFETs Product Range in TO-220AB, D-PAK, SOT-23 and ITO-220AB Packages

Partnumber	I_D [A]	V_{DS} [V]	$R_{DS(on)}$ [m Ω]	P_D [W]	E_{AS} [mJ]	Package
DIT090N06	90	60	7	160	450	TO-220AB
DIT095N08	95	80	11	170	529	TO-220AB
DIT195N08	195	80	2.5	300	1800	TO-220AB
DIT050N06	50	60	16	85	245	TO-220AB
DIT100N10	100	100	9.9	200	800	TO-220AB
DIT150N03	150	30	3.5	130	1700	TO-220AB
DIT120N08	120	80	6.5	220	1400	TO-220AB
DI030N03D1	30	30	21	40	72	D-PAK
DI020N06D1	20	60	340	45	72	D-PAK
DI015N25D1	15	250	165	140	80	D-PAK
2N7002A	0.28	60	2000	0.35	N/A	SOT-23
2N7002	0.28	60	5000	0.35	N/A	SOT-23
MMFTN20	0.10	50	15000	0.30	N/A	SOT-23
MMFTP3401	-4	-30	65	1.00	N/A	SOT-23
MMFTN6001	0.54	55	650	tbd	N/A	SOT-23
MMFTN3402	1.9	30	60	tbd	N/A	SOT-23
MMFTN123	0.17	100	6000	0.36	N/A	SOT-23
MMFTN138	0.22	50	3500	0.36	N/A	SOT-23
MMFTN170	0.5	60	5000	0.30	N/A	SOT-23
MMFTP84	-0.13	-50	10000	0.25	N/A	SOT-23
DIJ010N80*	10	800	700	tbd	tbd	ITO-220AB
DIJ006N80*	6	800	1350	tbd	tbd	ITO-220AB
DIJ004N80*	4	800	2800	tbd	tbd	ITO-220AB
DIJ020N60*	20	800	130	tbd	tbd	ITO-220AB
DIJ017N80*	17	800	250	tbd	tbd	ITO-220AB
DIJ010N500*	10	500	327	tbd	tbd	ITO-220AB

*under development

Version 01/2020