

1

2

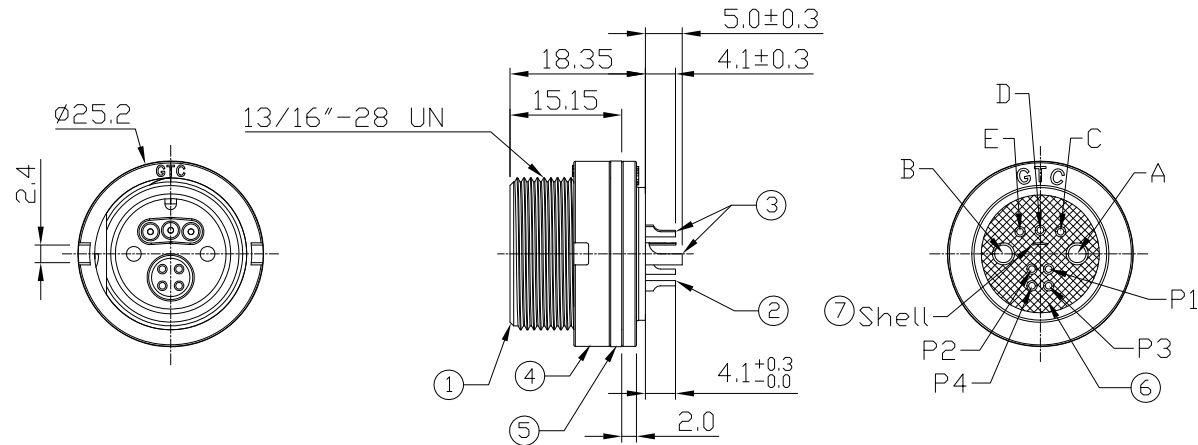
3

4

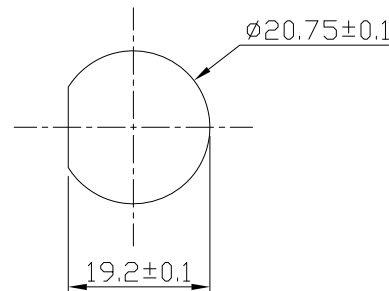
Notes: (Unless Otherwise Specified)

1. Waterproof Rate : IP67.
2. Recommend Panel Thickness: 0.8 to 3.0 mm.
3. Recommend Torque: 14.0~15.0 Kgf-cm.
4. Mating Cap P/N: GT1C5331X2.
5. RoHS Compliant.

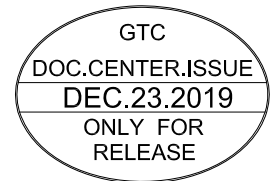
REV	ECN#	DESCRIPTION OF REVISION	DRAW BY DATE	CHECK BY DATE	APPROVE BY DATE
01			Lucas 12/19/19	Lucas 12/19/19	Ray 12/19/19



7	Shell	Copper Alloy Finish: Ni Plated	1
6	Glue	Epoxy Color: Black	
5	Gasket	Silicone Color: Black	1
4	Spanner Nut	Thermoplastic Color: Black	1
3	Male Contacts	Copper Alloy Finish: Au Plated	5
2	Female Contacts	Beryllium Copper Finish: Au Plated	4
1	Housing	Thermoplastic Color: Black	1
Item	Part Name	Material/Finish	Q'ty



Recommend
Panel Cut-Out



GT Contact CO.,LTD

NOTICE OF PROPRIETARY PROPERTY:

THE INFORMATION CONTAINED HEREIN IS THE PROPRIETARY PROPERTY OF GT CONTACT CO.,LTD THE POSSESSOR AGREES TO THE FOLLOWING:
 (A) TO MAINTAIN THIS DOCUMENT IN CONFIDENCE
 (B) NOT TO REPRODUCE OR COPY IT
 (C) NOT TO REVEAL OR PUBLISH IT IN WHOLE OR PART
 (D) ALL RIGHTS RESERVED

TITLE						DRAWING NUMBER			REV.
Hybrid C3 15A+2A 2P+3P Male/2A 4P Female Panel Solder Screw With Shell						GT1D3308-08270(S)			01
THIRD ANGLE PROJECTION	SIZE	SCALE	DRAW / DATE	CHECK / DATE	APPROVE / DATE	TOLERANCES	UNIT	SHEET	
DD NOT SCALE DRAWINGS	B	1:1	Lucas 12/19/19	Lucas 12/19/19	Ray 12/19/19	X.X ± 0.5 X.XX ± 0.2	mm	1/1	
						X.XXX ± 0.05 ANGLES ± 1°			

1

2

3

4